

E2676



Characteristics E2676 E

- Cylinders and arrangement: 6 cylinders in-line
- Mode of operation: four-stroke spark-ignition gas engine
- Engine cooling: water-cooled
- Exhaust system: water-cooled exhaust pipes

Characteristics E2676 LE

- Cylinders and arrangement: 6 cylinders in-line
- Mode of operation: four-stroke spark-ignition gas engine
- Turbocharging: turbo charger with water-cooled turbine housing and pressure-oil lubricated bearings
- Engine cooling: water-cooled
- Air-fuel mixture cooling: two-stage cooler

Technical features

Mode of operation		COP with natural gas						COP with special gas		
		1 500 (50)			1 800 (60)			1 500 (50)	1 800 (60)	
at engine speed rpm (Hz)										
Engine version		E 302 ⁴⁾	LE 202 ⁴⁾	LE 202	E 302 ⁴⁾	LE 202 ⁴⁾	LE 202	LE 212 ⁴⁾	LE 212	LE 212
Bore	mm	126	126	126	126	126	126	126	126	126
Stroke	mm	166	166	166	166	166	166	166	166	166
Displacement	l	12.4	12.4	12.4	12.4	12.4	12.4	12.4	12.4	12.4
ISO standard power ⁵⁾	kW	140	220	220	160	250	250	220	220	250
Air-fuel ratio	λ	1.00	1.73	1.73	1.00	1.74	1.72	1.57	1.62	1.61
Coolant heat ¹⁾	kW	107	113	110	122	124	113	109	108	121
Exhaust heat based on 120 °C ¹⁾	kW	86	130	121	104	156	148	131	113	137
Efficiency ¹⁾										
– mechanical ⁵⁾	%	39.3	41.3	43.4	38.7	39.4	41.1	40.2	42.2	40.3
– thermal	%	54.2	47.8	46.8	54.7	49.1	46.4	49.1	44.1	46.4
– total	%	93.5	89.1	90.2	93.4	88.5	87.5	89.3	86.3	86.7
Emissions status NO _x ²⁾	mg/Nm ³	< 5 700	< 250	< 500 < 100 ⁴⁾⁶⁾	< 6 500	< 250	< 500 < 100 ⁴⁾⁶⁾	< 250	< 500	< 500
Combustion ³⁾		st	m	m	st	m	m	m	m	m

1) at 100 % load

2) with 5 % exhaust-gas oxygen

3) m = lean, st = stoichiometric

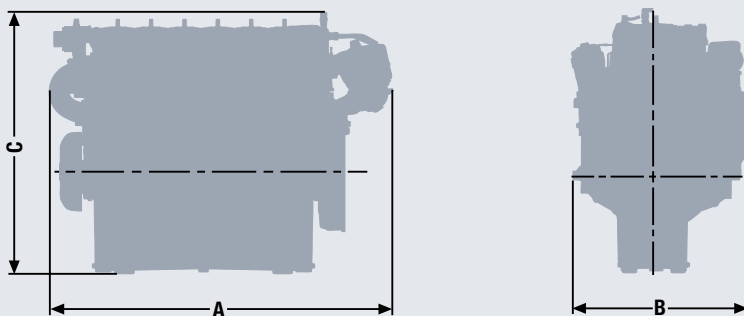
4) data conditional and on request

5) in accordance with German Industrial Standard DIN ISO 3046, Part 1

6) emission status available on request, including SCR technology

Technical data is based on a calorific fuel value of 10 kWh/Nm³ for natural gas and 6 kWh/Nm³ for special gas.

The values are provided for information purposes only and are non-binding.



Dimensions

Type designation		E 302	LE 202	LE 212
A-Overall length	mm	1 594	1 589	1 589
B-Overall width	mm	936	808	808
C-Overall height	mm	1 175	1 206	1 206
Dry weight	kg	967	985	985

All data are reference values. Please request installation drawings for detailed specifications.